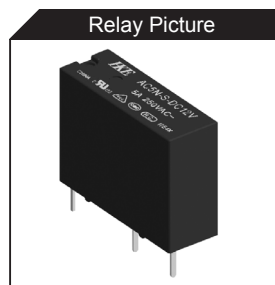
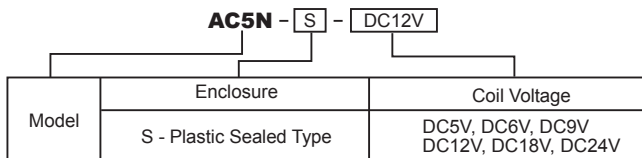




| Features        |                               |
|-----------------|-------------------------------|
| ▪               | Microminiature relay          |
|                 | Dimensions: 20.4×7.0×15.4(mm) |
| ▪               | Slim type, 7mm width          |
|                 | High mounting density         |
| ▪               | High sensitivity 200mW        |
| Safety Approval |                               |
|                 | NO.40024200                   |
|                 | US NO.E164730                 |
|                 | NO.CQC09002030809             |



## ORDERING INFORMATION



Remarks: 1.Available in 1 Form A only    2. Coil Power: 200mW

## SPECIFICATION

### CONTACT DATA

|                    |                        |                       |
|--------------------|------------------------|-----------------------|
| Contact Form       | 1 Form A               |                       |
| Contact Material   | Ag Alloy               |                       |
| Contact Rating     | 5A 250VAC              |                       |
| Contact Resistance | Max. 100mΩ (24VDC 1A)  |                       |
| Load               | Max. Switching Voltage | 250VAC/30VDC          |
|                    | Max. Switching Current | 5A                    |
|                    | Max. Switching Power   | 1250VA, 150W          |
|                    | Min. Switching Load    | 5VDC, 100mA           |
| Life               | Electrical             | 100,000 operations    |
|                    | Mechanical             | 10,000,000 operations |

### COIL DATA

|                    |       |
|--------------------|-------|
| Nominal Coil Power | 200mW |
|--------------------|-------|

### GENERAL DATA

|                       |                           |                                 |
|-----------------------|---------------------------|---------------------------------|
| Insulation Resistance | Min. 1000MΩ 500VDC        |                                 |
| Dielectric Strength   | Between open contacts     | 750VAC, 1min                    |
|                       | Between coil and contacts | 4,000VAC, 1min                  |
| Operate Time          | Max. 10ms                 |                                 |
| Release Time          | Max. 10ms                 |                                 |
| Operating Temperature | -40°C to +85°C            |                                 |
| Humidity              | 5~85%RH, +40°C            |                                 |
| Shock Resistance      | Endurance                 | 1,000m/s <sup>2</sup>           |
|                       | Misoperation              | 100m/s <sup>2</sup>             |
| Vibration Resistance  | Endurance                 | 10~55Hz, 1.5mm double amplitude |
|                       | Misoperation              | 10~55Hz, 1.5mm double amplitude |
| Weight                | Approximately 3.0g        |                                 |

Note:Data shown are of initial value

## SAFETY APPROVAL

| File Number                            | Contact Form | Power Consumption | Coil Voltage | Contact Rating | Remarks                   |
|--|--------------|-------------------|--------------|----------------|---------------------------|
| UL E164730                             | A            | 0.2W              | 3 - 24VDC    | 5A 250VAC      | Ambient Temperature: 95°C |
| VDE 40024200                           | A            | 0.2W              | 3 - 24VDC    | 5A 250VAC      | Ambient Temperature: 85°C |
| CQC 09002030809<br>(GB/T 21711.1-2008) | A            | 0.2W              | 3 - 24VDC    | 5A 250VAC      | Ambient Temperature: 85°C |

Specifications subject to change without notice

ISO9001、ISO/TS16949、ISO14001 Approved

COIL DATA

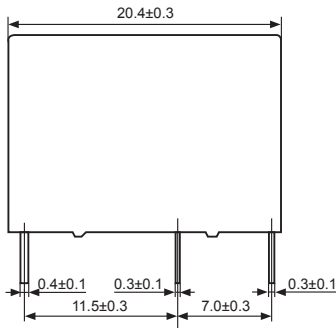
Ambient Temperature: 23°C

| Model        | Nominal Voltage VDC | Coil Resistance $\Omega$ +/-10% | Operate Voltage $\leq$ VDC | Release Voltage $\geq$ VDC | Coil Power mW |
|--------------|---------------------|---------------------------------|----------------------------|----------------------------|---------------|
| AC5N-S-DC5V  | 5                   | 125                             | 3.75                       | 0.5                        | 200           |
| AC5N-S-DC6V  | 6                   | 180                             | 4.5                        | 0.6                        |               |
| AC5N-S-DC9V  | 9                   | 405                             | 6.75                       | 0.9                        |               |
| AC5N-S-DC12V | 12                  | 720                             | 9.0                        | 1.2                        |               |
| AC5N-S-DC18V | 18                  | 1620                            | 13.5                       | 1.8                        |               |
| AC5N-S-DC24V | 24                  | 2880                            | 18.0                       | 2.4                        |               |

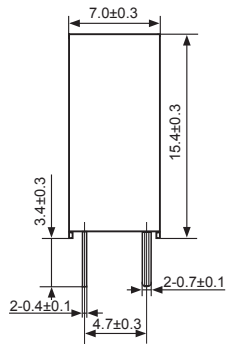
OUTLINE, WIRING DIAGRAM, MOUNTING HOLE LAYOUT (UNIT: mm)

AC5N

Outline



Mounting Hole Layout  
(Bottom View)



Wiring Diagram  
(Bottom View)

